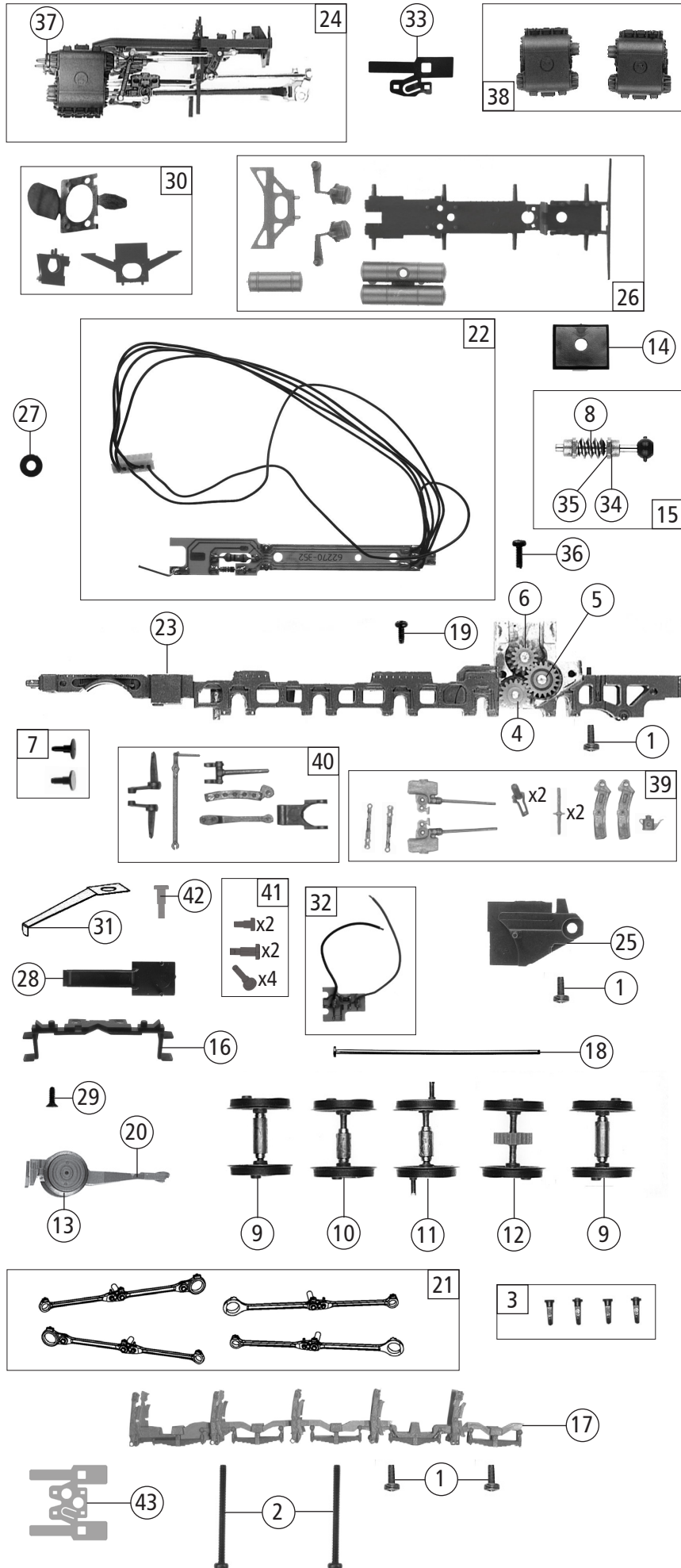
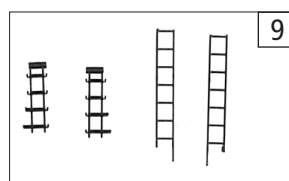
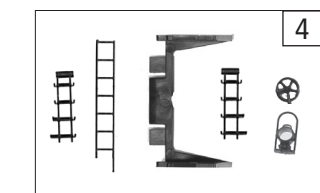
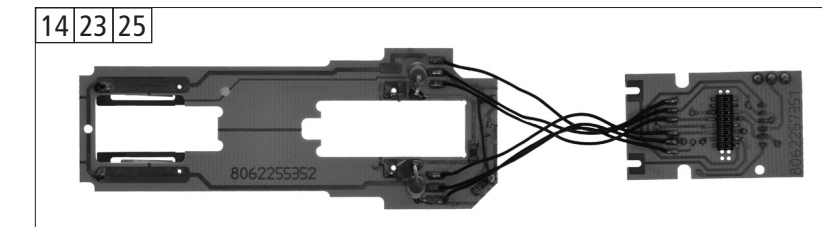
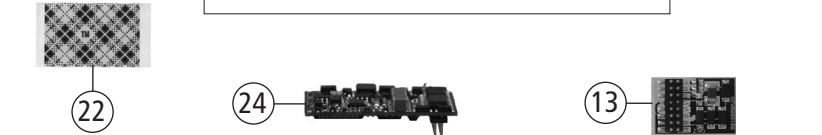
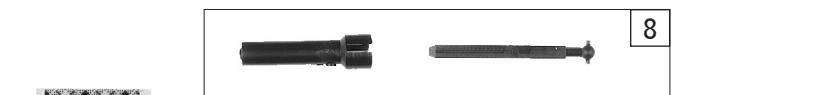
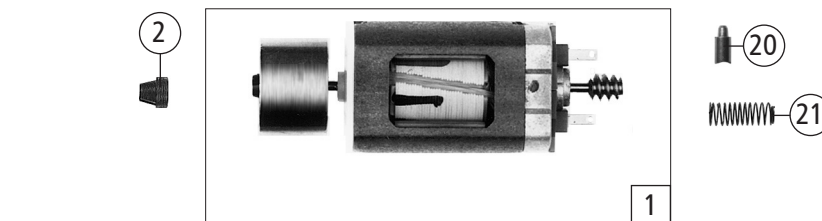
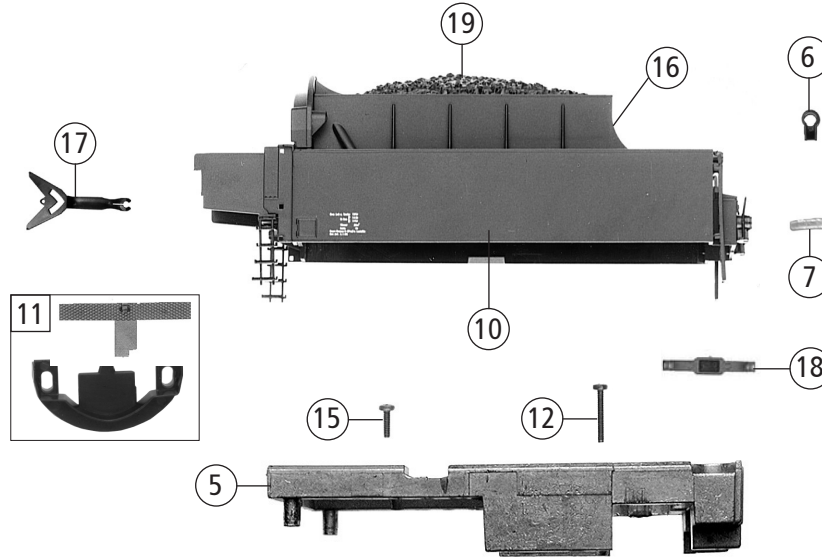
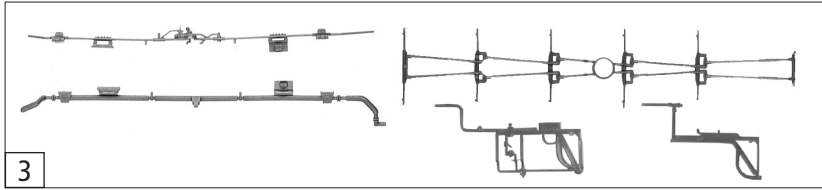


Pos. Nr. Pos.no.	Beschreibung Description	Art.-Nr. Art.no.	Preisgruppe Price bracket
70287	DR BR 50	=	
70288		=	🔊
78288		~	🔊
1	Kessel komplett Betr.nr. 50 3670-2 Boiler assembly loco no. 50 3670-2	148220	39
2	Kupplungsauflage,Wasserbehälter Coupling cover,Water tank	148205	6
3	TS - Fenster und Lichtleiter Part set window and light conductor	100677	9
4	TS - Kesselsteckteile Part set boiler plug-in parts	100678	13
5	TS - Kessel Part set boiler	109488	10
6	Kesselboden Boiler bottom	109491	12
7	Griffstangensatz Part set handles	109799	10
8	TS - Kesselleitungen und Ventile Part set boiler lines and valves	109800	10
9	TS - Kessel Part set boiler	109801	11
10	Lokgewicht Loco weight	109802	8
11	Dachfenstergitter Roof window grid	109496	6
12	Deckel für Vorwärmer Cover for preheater	112022	4
13	Loktrittblech Loco treadle	112337	3
14	TS - Stangen Part set of rods	112343	8
15	GF-Schraube M2x5 mm Self-tapping screw	114966	3
16	Sand- und Dampfdomdeckel Sand and steam dome lid	125037	6
17	Stirnlichtleiter Front light conductor	131724	3
18	Stange 54 mm Rod	136150	6
19	Führerhaus Driver's cab	148221	19
20	Tafelsatz Set of panels	148224	12
21	TS - Stangenhalter und Sandfallrohr Part set rod holder and sand pipe	136149	7
22	Umlaufblech Running board	148222	16
23	Ölkanne Oil can	92453	4
24	Windleitblech li+re Wind deflector L+R	112023	10
25	Loklampe + linse Loco lamp + lens	100682	7
26	Schneeräumer Snow plow	123379	7
27	TS-Rauchfang Part set chimney	112021	6
Sound			
28	GF-Schraube M1,6x4 mm Self-tapping screw	114850	3
29	Lautsprecher Loudspeaker	129524	13
30	Lautsprecherplatine Loudspeaker PCB	133613	11
31	Kontaktstift Contact pin	132794	4

Änderungen in Konstruktion und Ausführung vorbehalten
We reserve the right to change the construction and specification

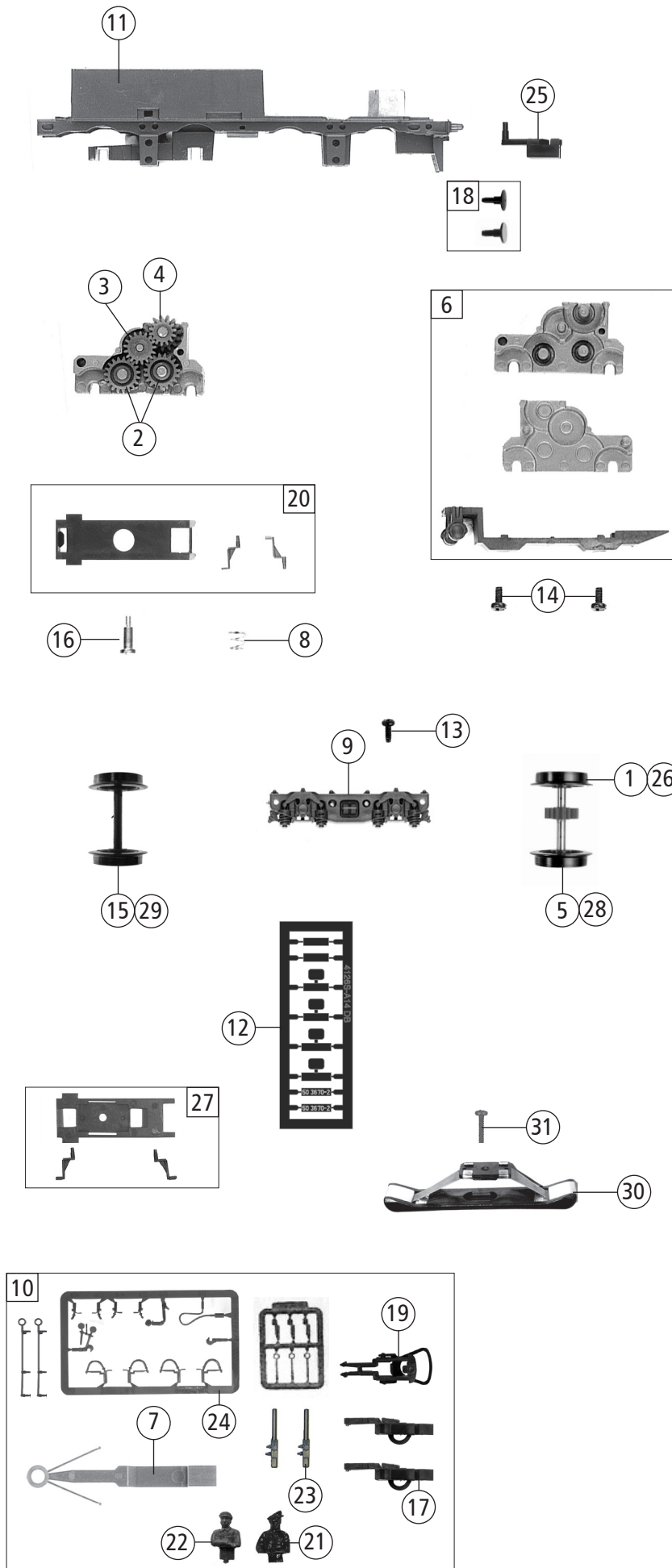


Pos. Nr. Pos.no.	Beschreibung Description	Art.-Nr. Art.no.	Preisgruppe Price bracket
70287	DR BR 50	=	
70288		=	🔊
78288		~	🔊
1	GF-Schraube M2x4 mm Self-tapping screw	114877	3
2	GF-Schraube M2x25 mm Self-tapping screw	115533	3
3	TS-Bolzen Part set of bolt	138069	5
4	Zahnrad Z=17 Gear wheel Z=17	86409	5
5	Zahnrad Z=19 / M=0,4 Gear wheel Z=19 / M=0,4	86417	3
6	Schnecken Zahnrad Z=15/14 Worm gear wheel Z=15/14	86490	5
7	Puffer flach und gewölbt bedruckt Buffer flat and curved printed	148198	10
8	Schnecke Wormgear	86720	6
9	Radsatz 1/5 mit Achslager Wheelset 1/5 with axle bearing	148199	12
10	Kuppelradsatz 2 mit Achslager Coupled wheelset 2 with axle bearing	148200	12
11	Treibradsatz 3 mit Achslager Driving wheel 3 with axle bearing	148201	12
12	Kuppelradsatz 4 mit Zahnrad Coupled wheelset 4 with gear wheel	148202	12
13	Vorlauf radsatz Pony truck wheelset	148204	10
14	Schneckenkammerdeckel Worm gearbox cover	111987	4
15	Schneckensatz mit Kardankugel Set of worm gear incl. cardan ball	100132	13
16	Loktreppen Loco treads	148196	6
17	Bremsrahmen lackiert Brakes frame painted	148194	12
18	Drahtstift Tack	110641	4
19	GF-Schraube M2x5 mm Self-tapping screw	114966	3
20	Vorlaufgestell Bogie frame	148203	12
21	TS - Kuppelstangen Part set - coupling rods	146796	18
22	Lokplatine kpl. Loco printed circuit board ass.	125019	20
23	Lokgrundrahmen Loco basic frame	148192	16
24	Steuerung kpl. Reversing gear complete	148219	36
25	Lokgetriebedeckel Loco gear cover	148193	12
26	TS-Umlauf Part set of running board	148197	10
27	Platinenring Ring for printed circuit board	125002	9
28	Lichtabdeckung Light cover	122502	3
29	SK-Schraube M1,6x4 mm SK-Screw	115161	3
30	Kesselstütze und Kont. Boiler support and contacts	117304	6
31	Vorlaufgestellfeder Bogie spring	125024	3
32	Lok Stirn LED Platine kpl. 3-LED Loco front LED-PCB complete	131125	13
33	Radkontakt Wheel contact	131126	5
34	Lager für Schneckenachse Bearing for worm gear axle	89749	6
35	Beilagescheibe Washer	86108	3
36	GF-Schraube M1,6x4 mm Self-tapping screw	114850	3
37	TS - Schiebereinsatz Part set slide inset	92420	3
38	Zylinderblock links und rechts Cylinder block left and right	100168	12
39	TS - Steuerung Part set - Steering ass.	146567	12
40	TS - Gegenkurbel Part set - Counterweight	146620	8
41	Steuerungsnieten kurz+lang Steering ass. rivets short+long	113252	8
42	Niet langer ansatz 3,2 mm Rivet long	117446	3
AC - Wechselstrom			
43	Radkontakt AC Wheel contact	131912	4



70287	DR	BR 50	=	
70288			=	🔊
78288			~	🔊

Pos. Nr. Pos.no.	Beschreibung Description	Art.-Nr. Art.no.	Preisgruppe Price bracket
1	Motor komplett Motor assembly	85131	28
2	Kardanschale kurz 1,5mm Cardan reception short 1,5mm	87129	4
3	TS-Bremsgestänge+leitung Part set-Brake rig+pipes	148195	9
4	TS - Tender 1 Part set tender 1	108330	12
5	Tendergewicht Tender ballast	109405	8
6	Tenderlampe oben Upper tender lamp	109775	3
7	Spitzenlinse Frontside lens	109776	3
8	Kardanwelle, Kardanhülse Cardan shaft, Cardan reception	111765	4
9	TS - Tender 2 Part set tender 2	108944	11
10	Tendergehäuse Tender body	148208	14
11	Tender-Trittlech Tender treadle	100142	8
12	GF-Schraube M1,6x10 mm Self-tapping screw	114881	3
13	Brückenstecker Jumper	129630	10
14	Tenderplatine kpl. LED Tender printed circuit board ass. LED	132976	24
15	GF-Schraube M1,6x6 mm Self-tapping screw	114836	3
16	Kohlekasten und Stirnteil Coal box and frontside part	116381	12
17	Lok-Tenderkupplung Coupling between loco and tender	148206	8
18	Tender-Lichtleiter Tender light conductor	112025	4
19	Kohlegewicht Coal weight	126887	10
20	Kohlebürste Carbon brush	89743	6
21	Bürstenfeder Carbon brush spring	114197	3
22	Doppelseitiges Klebeband Double sided adhesive tape	112629	3
Sound			
23	Tenderplatine kpl. LED Tender printed circuit board ass. LED	132977	28
24	Sounddecoder MX645P16 Sound decoder	148230	40
AC - Wechselstrom			
25	Tenderplatine AC Printed circuit ass. AC	132334	28



Pos. Nr. Pos.no.	Beschreibung Description	Art.-Nr. Art.no.	Preisgruppe Price bracket
70287	DR BR 50	=	
70288		=	🔊
78288		~	🔊
1	Hafringsatz 10 Stk. 10,3-12,8mm Traction tyres set 10 pcs. 10,3-12,8mm	40069	---
2	Zahnrad Z=19 / M=0,4 Gear wheel Z=19 / M=0,4	86417	3
3	Zahnrad Z=17 M=0,4 mm G Gear wheel Z=17 M=0,4 mm G	86418	5
4	Schneckenrad Z=15/14 Worm gear wheel Z=15/14	86490	5
5	Radsatz m.2Hafring. m. Zahnrad Wheelset w.2 traction tyres w.gear wheel	142692	11
6	Tendergetriebe 3-teilig Tender gear set 3-parts	142690	13
7	Kupplungskammer Coupling reception	148225	4
8	Druckfeder Pressure spring	108226	3
9	Blende für Tender Bogie for tender	142693	4
10	Zurüstbeutel Bag with accessories	148223	15
11	Tenderrahmen Tender frame	148207	16
12	Nummertafeln Number plates	148209	7
13	GF-Schraube M2x5 mm Self-tapping screw	114966	3
14	GF-Schraube M2x4 mm Self-tapping screw	114877	3
15	Radsatz o. Hafring o. Zahnrad Wheelset w/o traction tyre, w/o gear wheel	127577	9
16	Ansatzschraube M2x5 mm Flanged screw	85669	4
17	Kurzkupplung Vor-enkupplung Short coupling pre-uncoupling	115550	6
18	Puffer flach und gewölbt bedruckt Buffer flat and curved printed	148198	10
19	Standardkupplung Standard coupling	89246	6
20	TS - Tenderdeckel, Tritte Part set for tender cover, treadles	142691	8
21	Lokführer seitlich Loco driver side stance	89726	6
22	Heizer/E-Lokführer Fireman/E-loco driver	89725	6
23	Kolbenschutzrohr Piston rod protection tube	92421	3
24	TS-Bremsschläuche und Zughaken Part set brake tubes & coupling hooks	139832	7
25	Kupplungskammer Coupling reception	108225	4
AC - Wechselstrom			
26	Hafringsatz 10Stk. 10,3-12,4mm Set with traction tiers 10pieces 10,3-12,4mm	40074	---
27	TS-Achsdeckel, Tritte Part set axle cover, steps	142708	8
28	Tenderradsatz m. HR m.ZR Wheelset w. traction tiers w. gear	142709	12
29	Tenderradsatz o.HR o.ZR Wheelset without traction tiers/gear	142710	10
30	Schleifer 46mm Slider	86031	14
31	GF-Schraube M1,6x5 mm GF-Screw	115269	3